

# HOUSINGS AND ACCESSORIES PRODUCTS

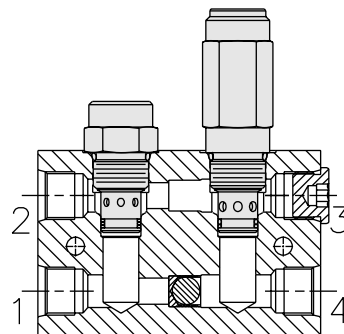
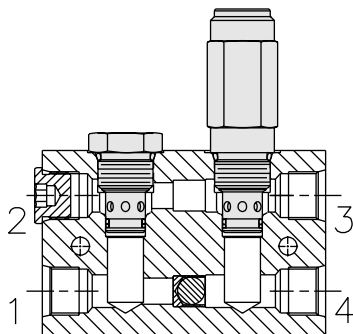
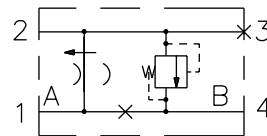
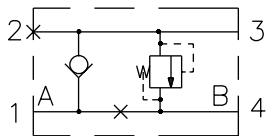
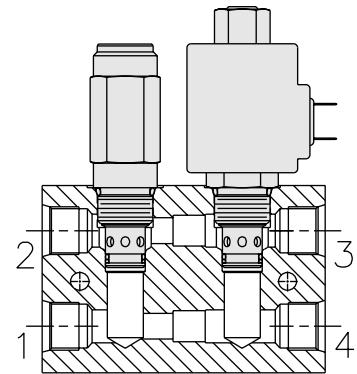
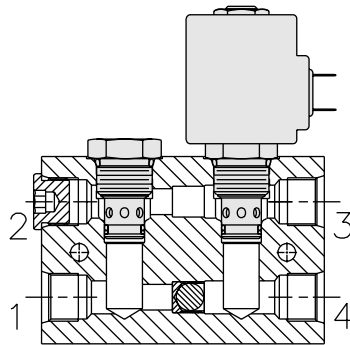
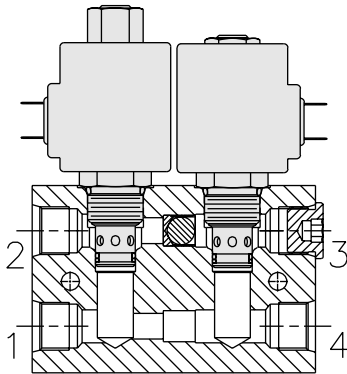
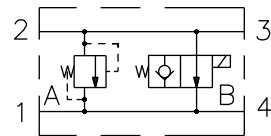
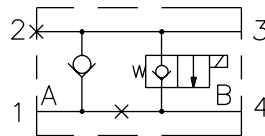
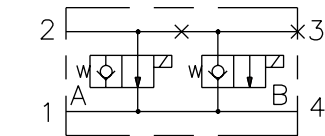
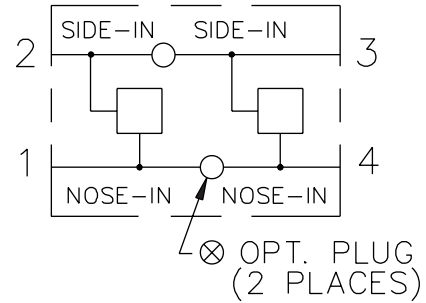
## 2-By-2 Bodies, Parallel-Type

### DESCRIPTION

2-by-2 bodies are standardized valve bodies which have multi-functional (multiple circuit) potential. They are available in three sizes to house standard -10, -12, or -16 size two-way cartridge valves. Given the wide variety of potential cartridges, the application potential for the 2-by-2 body blocks is quite large. Dimensions for the blocks are illustrated below.

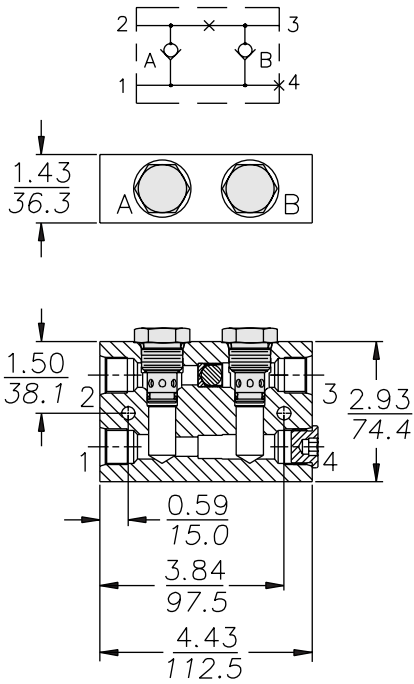
### APPLICATIONS

Illustrated on these pages are a few common applications for 2-by-2 bodies.

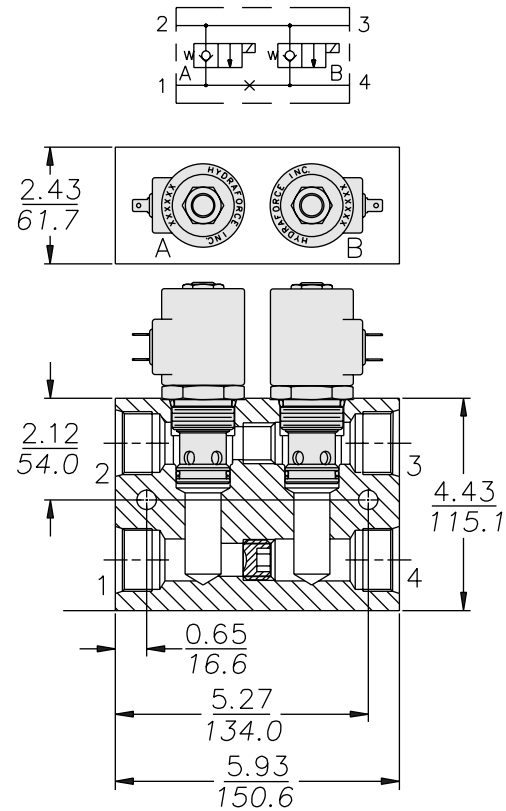


## 2-By-2 Bodies, Parallel-Type (cont'd)

### TYPICAL DIMENSIONS

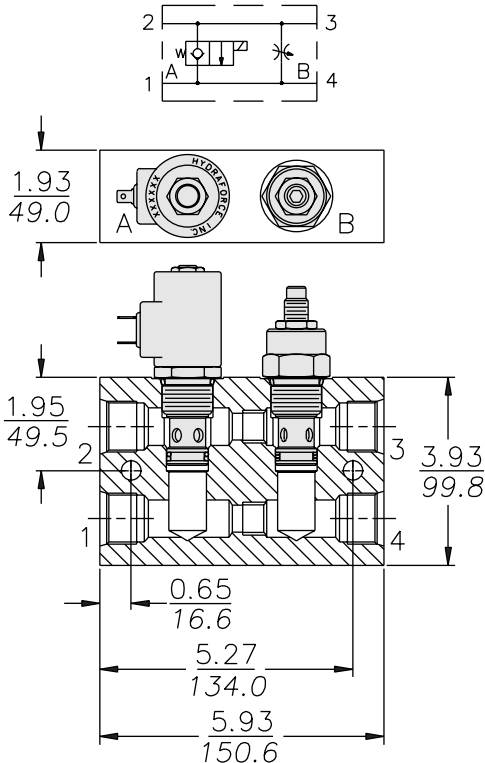


10 SIZE (SAE 8 PORTS)



16 SIZE (SAE 16 PORTS)

INCH  
MILLIMETRE



12 SIZE (SAE 12 PORTS)

### ORDERING INFORMATION

The following 2-by-2 component parts are ordered individually.

Size	Part Numbers			
	Body	Pipe Plug	Expander Plug	SAE Plug
-08 Size	7073910	—	6108090	6103006
-10 Size	7070110	—	6108120	6103008
-12 Size	7070120	6102038	—	6103012
-16 Size	7070130	6102048	—	6103016

NOTE: EUROPEAN MANUFACTURED VERSION  
MAY DIFFER IN DESIGN/DIMENSIONS.  
CONSULT HYDRAFORCE HYDRAULICS LTD.

# HOUSINGS AND ACCESSORIES PRODUCTS

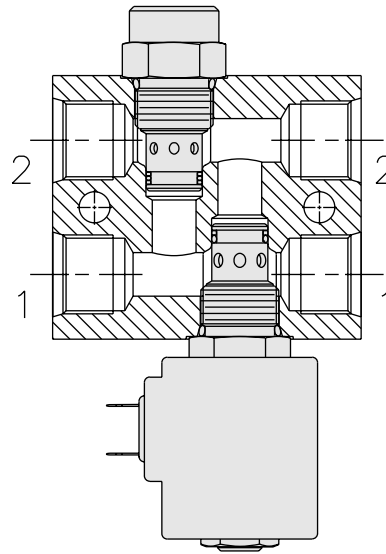
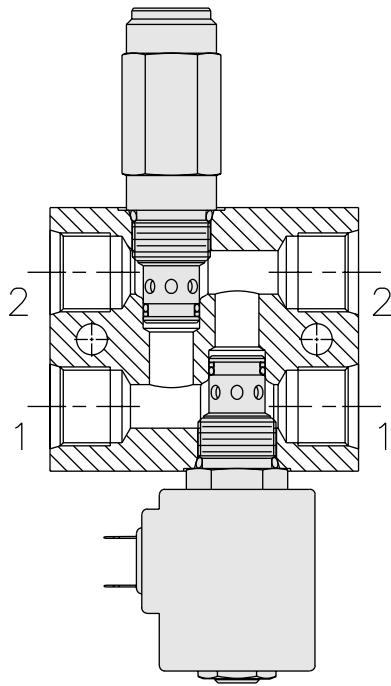
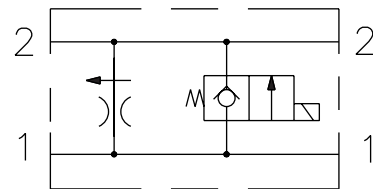
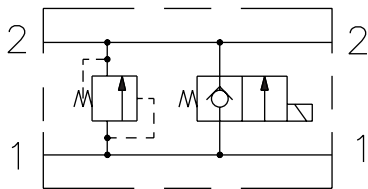
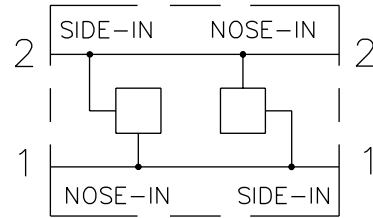
## 2-By-2 Bodies, Cross-Over Type

### DESCRIPTION

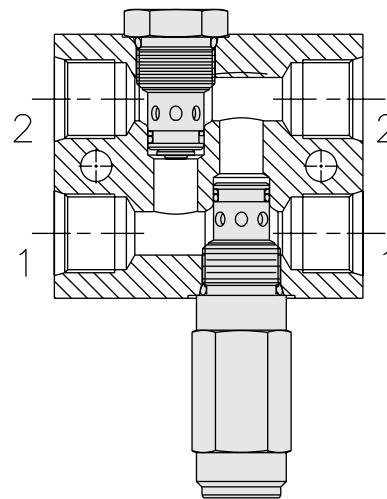
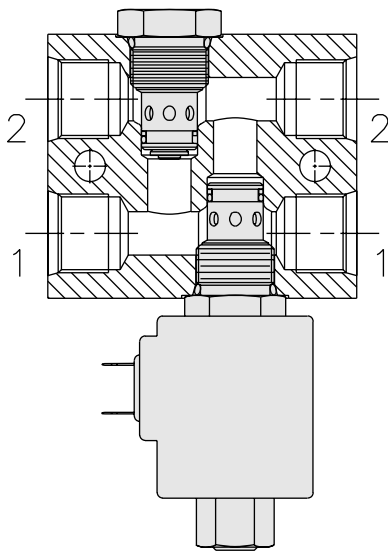
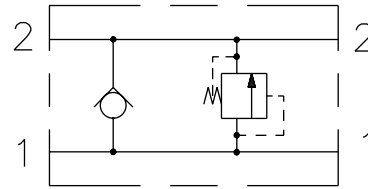
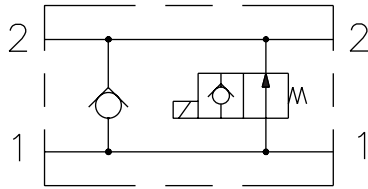
Commonly used for cross-over relief applications, these standard bodies can also be used for alternate purposes.

### APPLICATIONS

Illustrated on this page are a few common applications for the cross-over type 2-by-2 bodies.



## 2-By-2 Bodies, Cross-Over Type (cont'd)



### ORDERING INFORMATION

The following cross-over type 2-by-2 bodies are ordered individually.

Size	Part Number	Port Size
-08 Size	7070160	SAE 6
-10 Size	7070170	SAE 10
-12 Size	7170670	SAE 12

See CRV pages 6.250.1 to 6.280.2 for dimension information.